






# ASSEMBLY INSTRUCTION

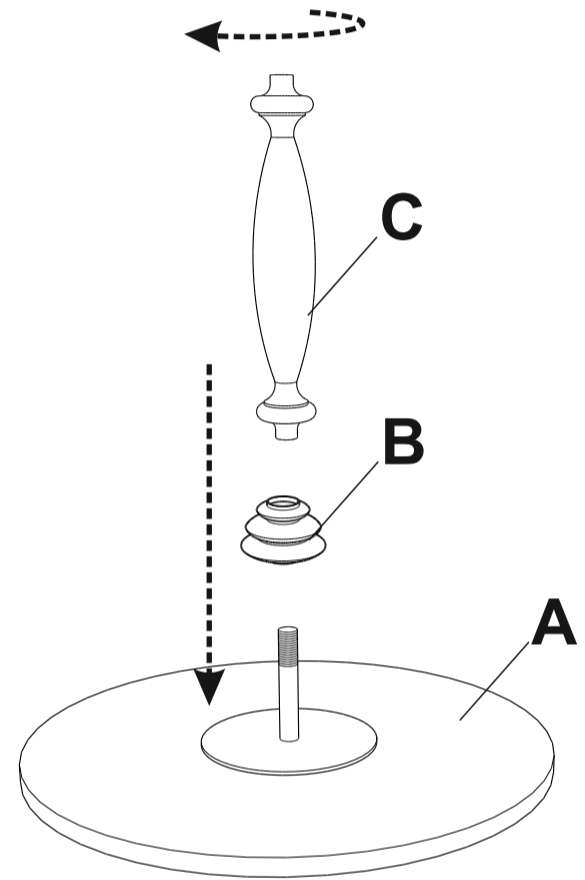
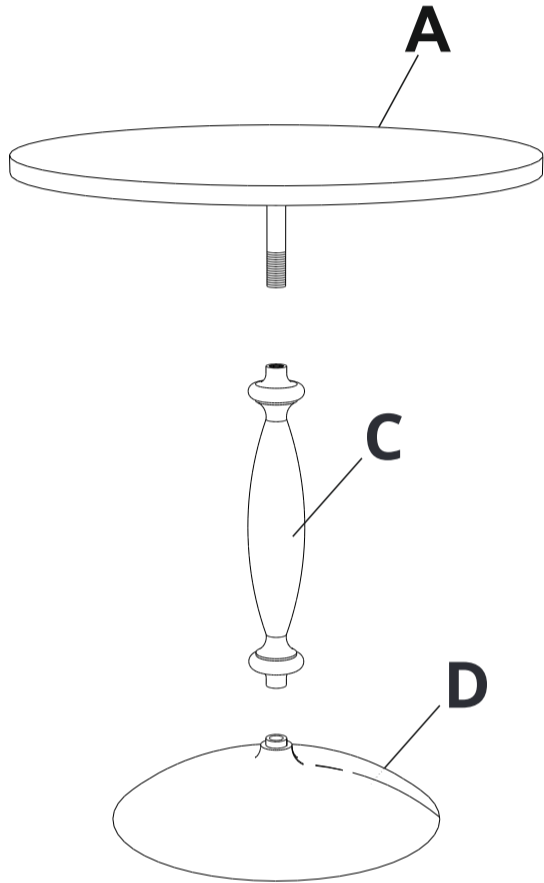
## PARTS

S.NO.	DESCRIPTION	QTY
A	 Wooden Top	1
B	 Iron Plug	2
C	 Iron Centre Part	1
D	 Iron Base Part	1

## HARDWARE

S.NO.	DESCRIPTION	QTY
1	 BOLT	01

### STEP -1



### STEP-2

